

Encapsulated Coupon Data Sheet

Specialist Pipeline Materials

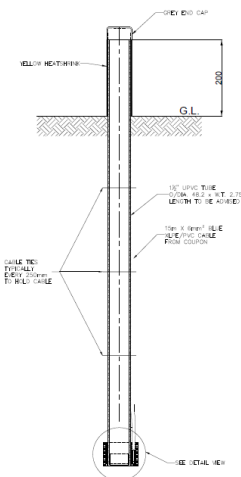
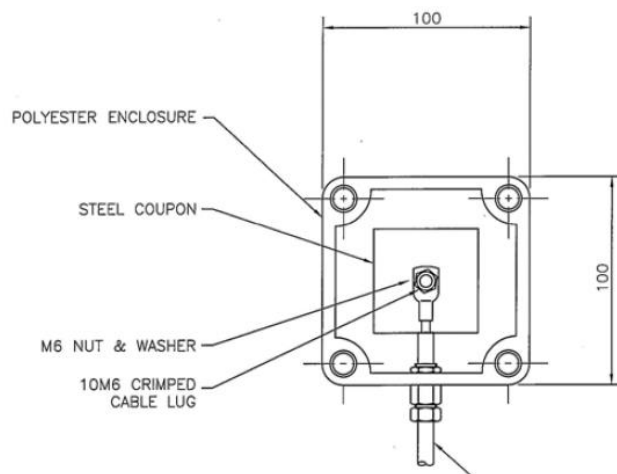
Encapsulated Coupon Specification

Corrpro Companies Europe Ltd have in house manufacturing facilities to make to order encapsulated pipeline coupons for the oil and gas industry. Corrpro can supply many configurations of coupon size with various cable specifications.

SPECIFICATION

TECHNICAL DATA

- Enclosure: PVC box, sizes variable dependant on coupon size, typically 100mm x 100mm x 50mm
Also available in PVC pipe format
- Coupon: Sizes range from 1cm² upto 200cm², in a range of circular or square shapes, custom shapes also available upon request
- Cables: Range from 2.5mm² to 16mm² in a variety of types and colours, 1 or 2 cables can be connected



For a full stock list, description & availability please visit: www.corrpro.co.uk